

# Frick India Hermetically Sealed Liquid Ammonia Pump



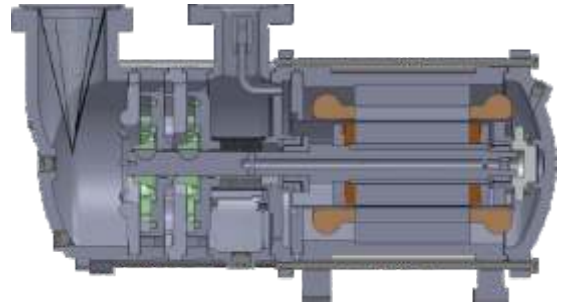
- ... Energy Saving
- ... Easy Handling
- ... Safe & Reliable
- ... Maintenance Free
- ... Rugged Cast Iron Body



**FRICK INDIA LIMITED**

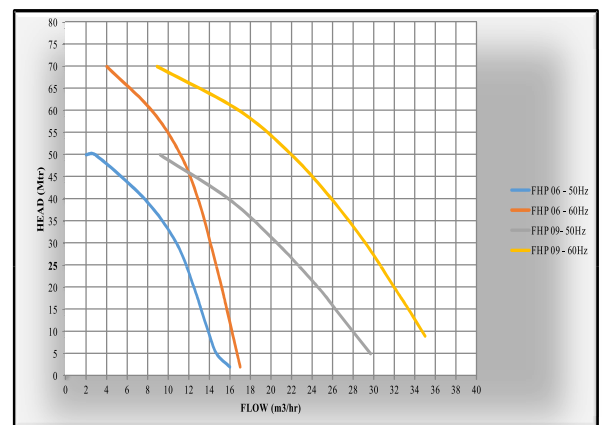
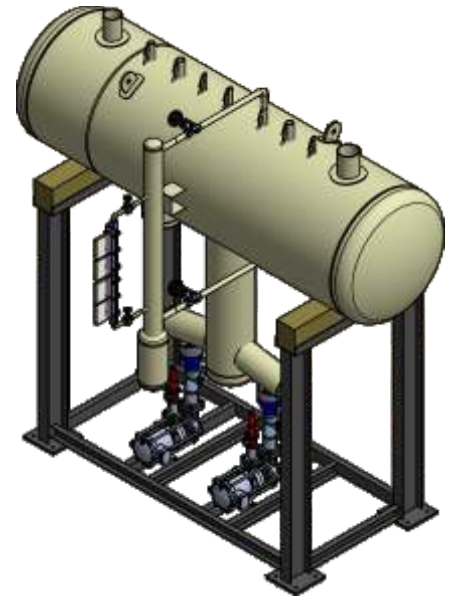
## OVERFEED SYSTEM

Overfeed Systems (re circulation system) and those in which excess liquid is forced, mechanically or by gas pressure, through organized flow evaporators, separated from the vapour, and returned to the evaporators. This ensures no oil in evaporators and no liquid slugs in the compressor leading to high saving in power and maintenance.



## ADVANTAGES OF LIQUID OVERFEED SYSTEM

- **Even Refrigerant distribution :** The entire surface of the evaporator is wetted to give an even distribution of the refrigerant resulting in increased efficiency.
- **Protection of Compressors:** The compressors are protected from liquid slugs resulting from fluctuating loads or malfunctioning controls.
- **Hot gas Defrosting:** With simple controls, evaporators can be hot-gas defrosted with little disturbance to the system reducing wasted refrigeration.
- **No effect of fluctuating ambient and condensing conditions :**Refrigerant feed to evaporators are unaffected by fluctuating ambient and condensing conditions. The flow control regulators do not need to be adjusted after the initial setting, since the overfeed rates are not generally critical. Ideal for temperature accuracy.
- **Minimum discharge temperature resulting minimum condenser fouling:** Low-suction superheats are achieved where the suction lines between the low pressure receiver and the compressors are short. This condition causes a minimum discharge temperature, preventing lubrication breakdown and minimizing condenser fouling.
- **Zero pressure Drops in the evaporators/ Overfeed lines :** Flash gas, resulting from refrigerant throttling losses, is removed at the low-pressure receiver before entering the evaporators. This gas is drawn directly to the compressors and is eliminated as a factor in the system low side. It does not contribute to increase the pressure drops in the evaporators or overfeed lines. This results in low running time.
- **Ease of Operation :** Refrigerant level controls, level indicators, refrigerants pumps and oil drains are generally located in the equipment rooms, which are under operator surveillance. Overfeed systems have convenient automatic operations. allows all kind of operations to comfortably operate the system.
- **Low maintenance :** Because of ideal entering suction gas conditions, compressors last longer. There is less maintenance and fewer breakdowns. The oil circulation rate to the evaporators is reduced as a result of the low compressor discharge super heat.



# FRICK INDIA LIMITED

809, "Surya Kiran", 19 K. G. Marg, NewDelhi - 110 001. Ph : 23322381/84/91. Fax : 23322396  
email : delhi@frick.co.in

Factory : 21.5 km, Main Mathura Road, Faridabad 121 003. Ph : 2275691-94, 2270546-47 Fax : 0129-2275695  
email : fbd@frick.co.in



Branch Off.	Address	Phones	Fax	email
Ahmedabad	: 1010, The Titanium City Centre, Anandnagar Road, Satellite, Ahmedabad-15	26934410	26934410	gujarat@frickmail.com
Bangalore	: T-6, Swastik Manandi Arcade 401/2, Sheshadri Puram, Bangalore-560020.	22196021, 23469693	23469693	bng@frickmail.com
Chandigarh	: SCO-6, 11nd Floor, Silver City, Chd-Delhi Road, Zirakpur, Chandigarh-140603	9316136334		frick.chd@gmail.com
Chennai	: 243, Anna Salai, Post Box. No. 1077, Chennai - 600 006	28524010, 28524003	28524003	chennai@frickmail.com
Cochin	: 41/3518, Providence Road, Nr. Madhava Pharmacy Junction, Cochin 682 018.	2394173	2394173	cochin@frick.co.in
Jalandhar	: Opp Uday Nagar. Nakodar Road, Jalandhar, Punjab - 144001	6575760		jalandhar@frickmail.com
Kolkata	: Poonam Building, 5/2 Russel Street, Kolkata - 700 071.	22261179, 22267834	22266231	kolkata@frickmail.com
Patna	: 807, Jagat Trade centre, Frazer Road, Patna - 800001	2216520		patna@frickmail.com
Mumbai	: Ion House, Dr. E. Moses Road, Mumbai - 400 011.	24924687, 24925203	24935552	mumbai@frickmail.com
Secunderabad	: 608, VI Floor, Swapnalok, 92/93, S.D. Road, Secunderabad -500 003.	27813044, 27813897	27813897	hyd@frick.co.in
Vizag	: D No 3/18, 3-Floor, Eswar Homes, 1 Lane, Dwaraka Nagar, Vizag- 530016.	2553232		vizag@frickmail.com